

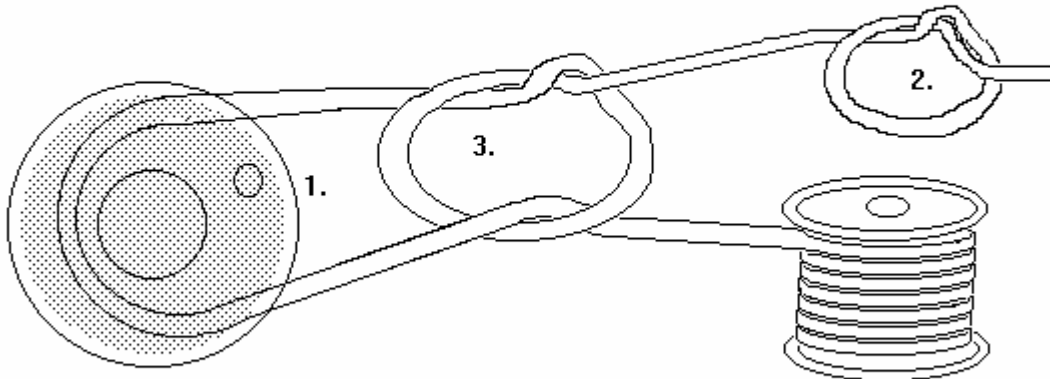
BASIC FLY-FISHING KNOTS

Arbor Knot – Used to connect backing to the fly reel spool. Backing is used for two purposes – first to connect the 90-foot (or less) long fly line to the reel. So if you hook a fish big enough to run more than

100-feet away you don't lose the fish or, more importantly, the fairly expensive fly line.

Arbor Knot (For tying backing to fly reel spool)

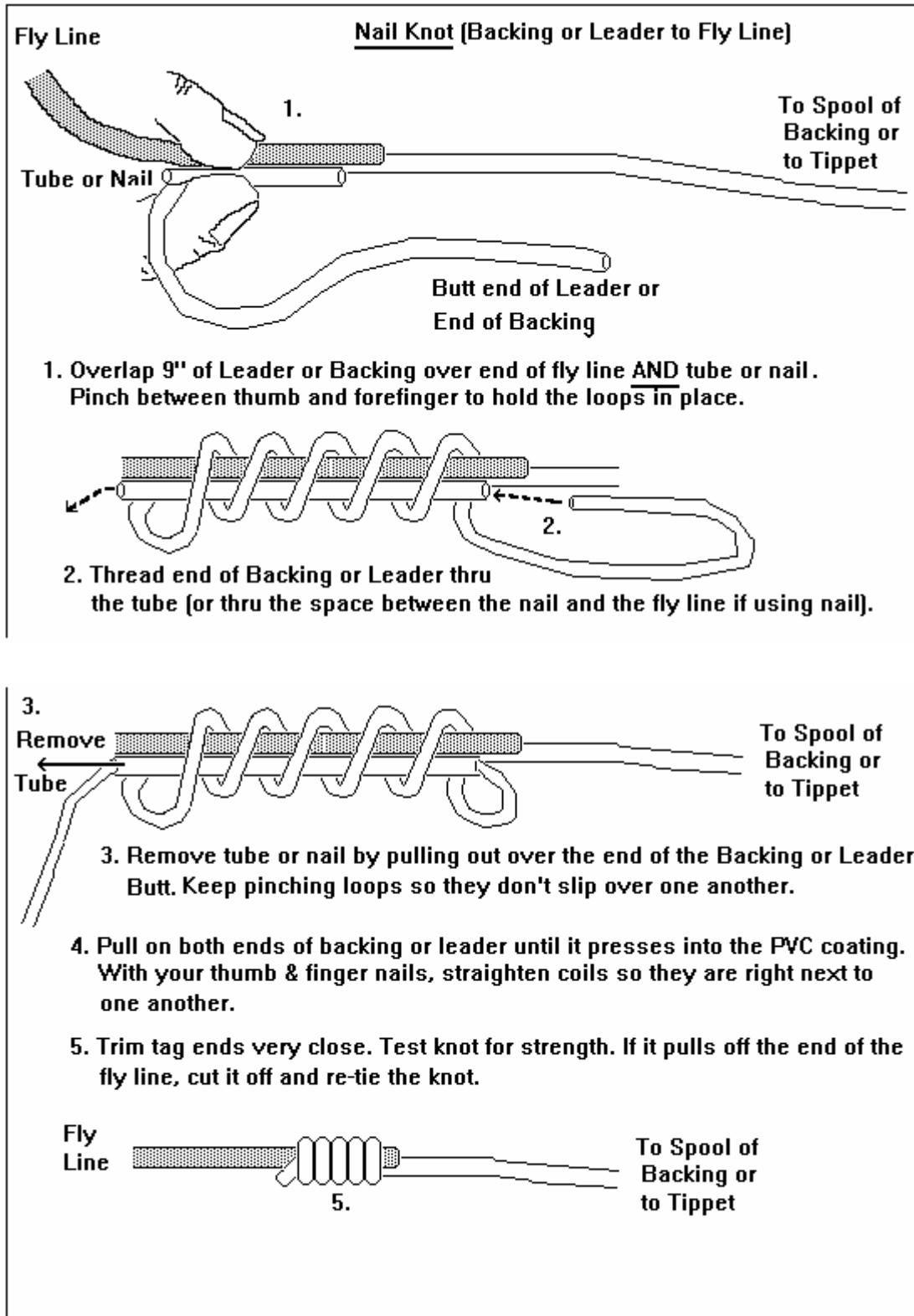
1. Thread backing through reel frame and around center arbor or spool
2. Tie simple overhand knot in end of backing. Pull tight and cut excess to 1/4"
3. Tie another overhand knot in tag end capturing the backing coming from the backing spool within the loop of the overhand knot.



4. Pull second overhand knot tight, then pull on backing spool until the second knot slides down against the reel spool arbor and snugs up against the end knot. Work this tight until backing 'grabs' the arbor.

BASIC FLY-FISHING KNOTS

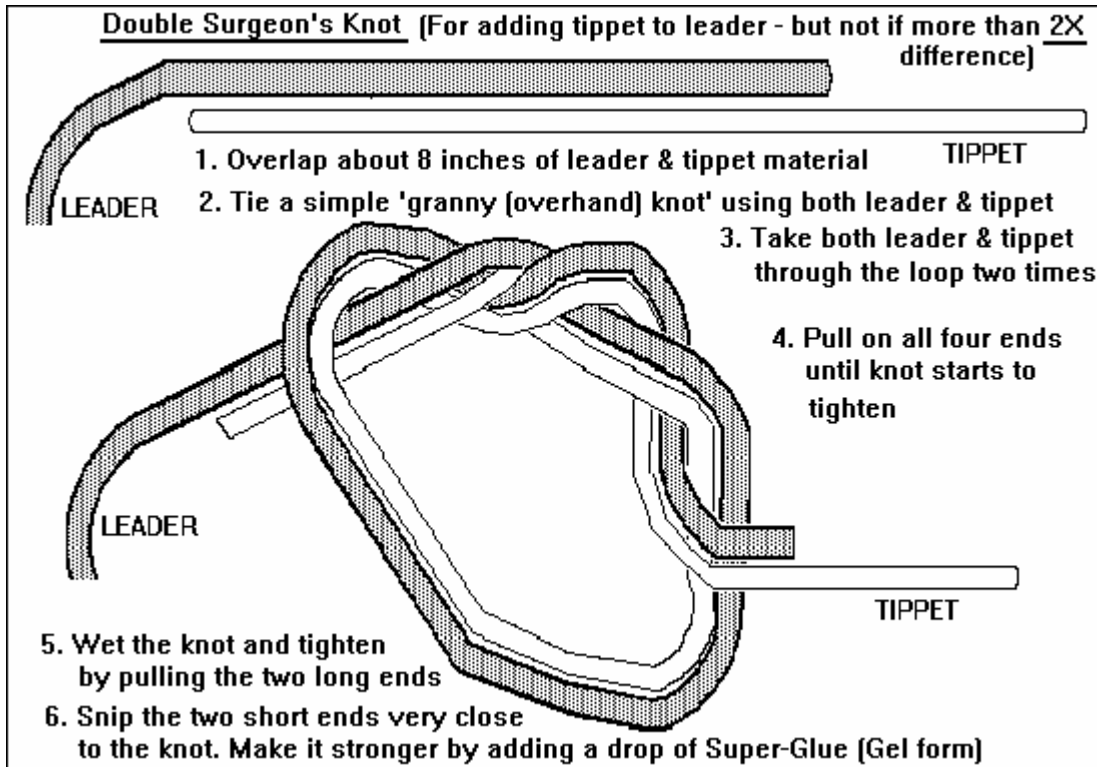
Nail Knot – Used to attach the other end of the backing or a leader's butt section directly to the fly line.



BASIC FLY-FISHING KNOTS

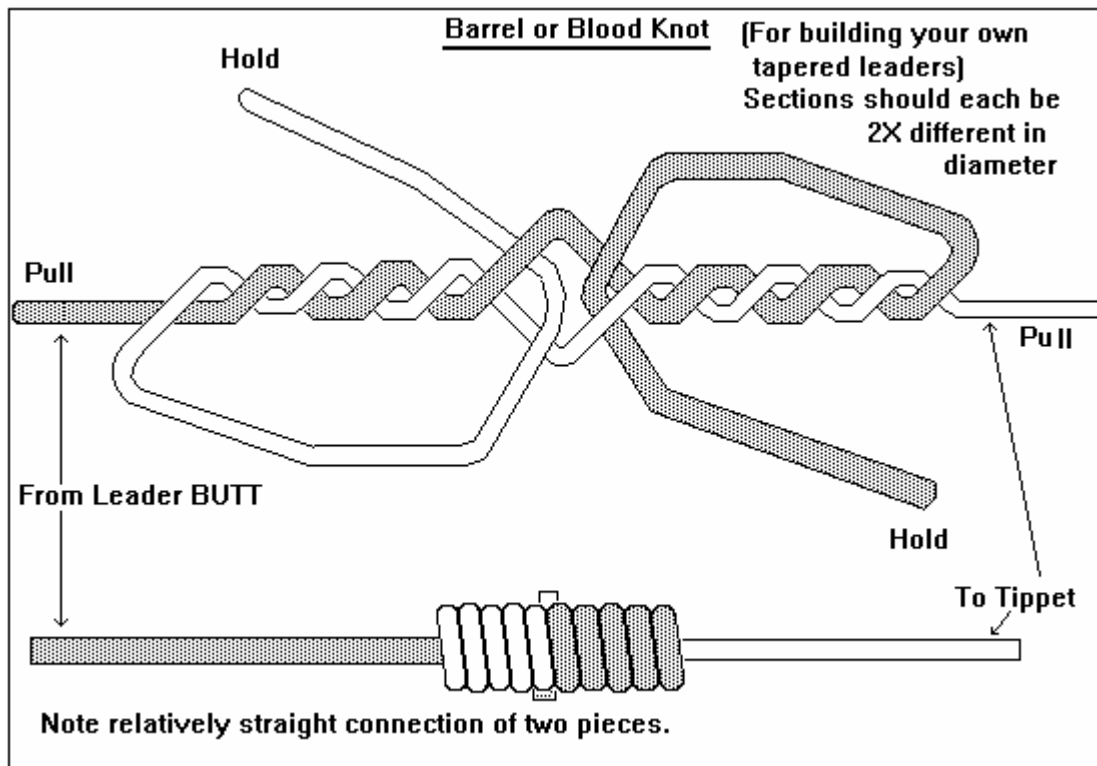
Surgeon's Knot – Used to connect two pieces of relatively-close-diameter monofilament together. This

knot is usually used to replace the “tippet” at the end of the leader after having tied on several flies using up a few inches of tippet on each.



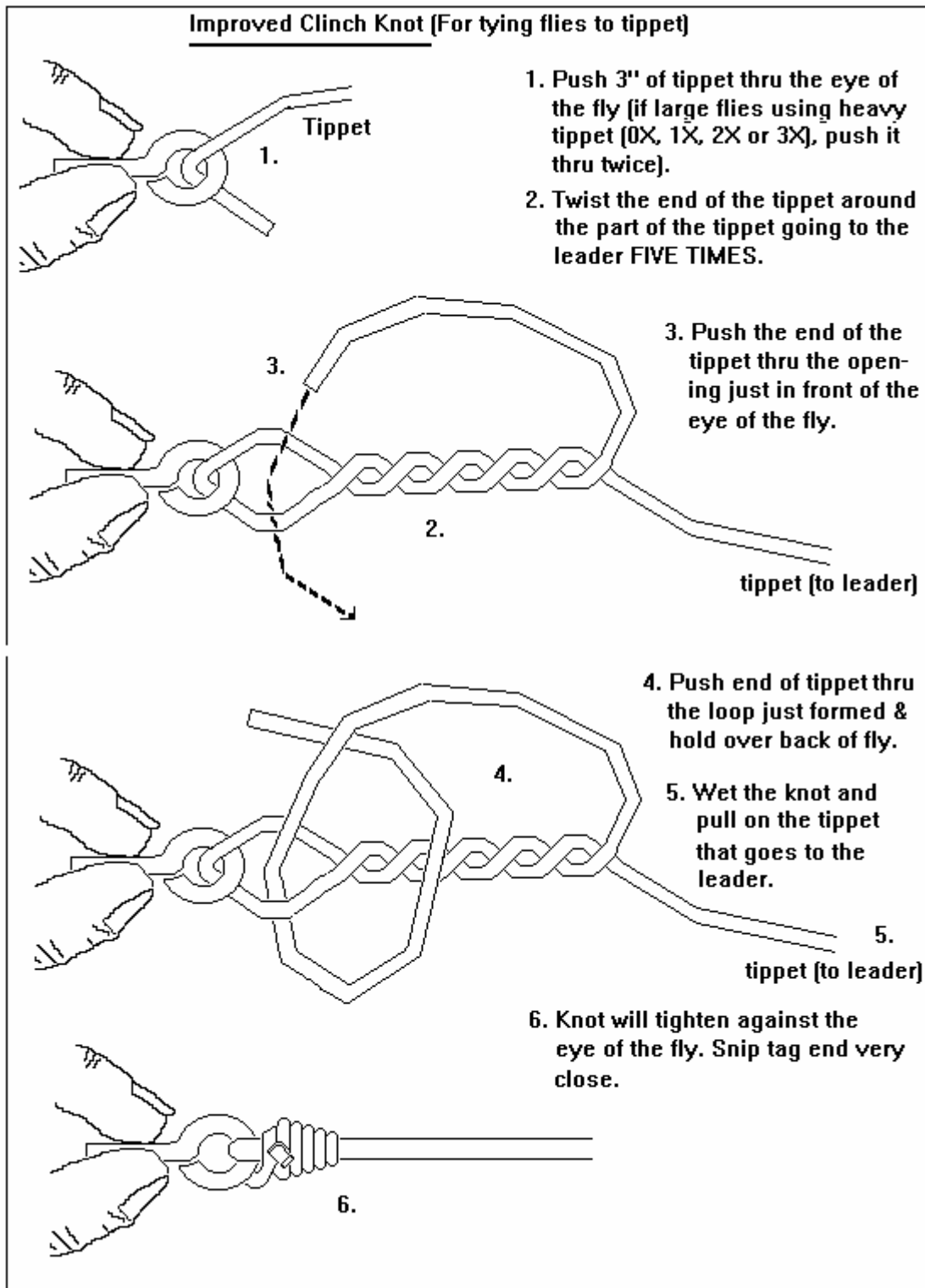
Barrel (or Blood) Knot – also used to connect two pieces of monofilament. It is more difficult to tie but

is a little bit stronger than the Surgeon's Knot. Its more usual application is in tying together **MULTIPLE** pieces of decreasing-diameter monofilament to make an entire tapered leader.



BASIC FLY-FISHING KNOTS

Improved Clinch Knot – One of several knots most often used to tie a fly onto the tippet of a leader.

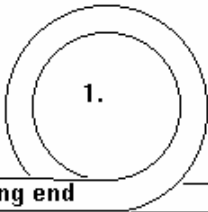


BASIC FLY-FISHING KNOTS

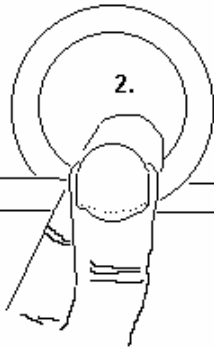
Perfection Loop – A non-slipping loop knot most often used to loop-to-loop connect a leader to a loop on the end of the fly-line ...

... or to connect the “tippet” of a very simple leader (i.e. 4-foot of 20# monofilament as the butt section and 4-foot of 12# monofilament as the tippet – this might be used for throwing heavy streamers or large poppers).

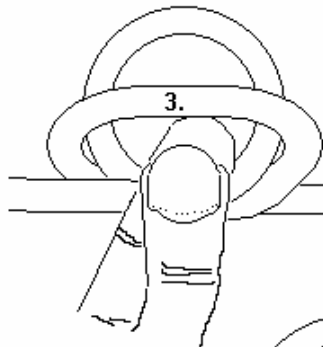
Perfection Loop (For loop-to-loop connections such as leader butt to a braided loop on the end of your fly line)



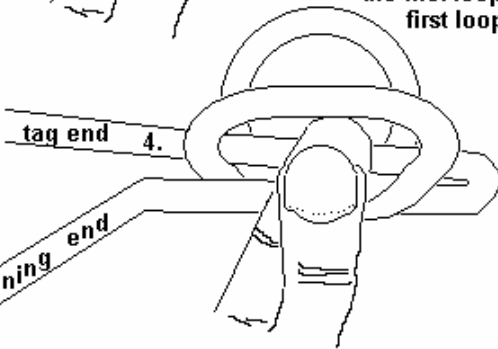
1. Form a loop with the longer end **BEHIND** the shorter end allowing the tag end to stick out to the right.



2. Pinch it together between you thumb and forefinger.



3. Wrap the **TAG END** around and behind the first loop and catch it and pinch it tight to form a second loop. Pull on the tag end to make the 2nd loop smaller than the first loop.



4. Now lay the tag end **BETWEEN** the two loops and pinch it also, then reaching from **BEHIND** the first loop, pull the second loop through the first loop.

5. Continue pulling the loop until the knot starts to tighten. Wet the knot and pull the loop and the running end until the knot is tight. The tag end should stand out at a 90° angle. The loop will **NOT SLIP** if tied correctly.



You can make the resulting loop smaller if, as you tighten the knot, you pull on the **RUNNING END** end of the line.

BASIC FLY-FISHING KNOTS

Palomar Knot – Also used to tie fly onto tippet of leader. Is VERY MUCH STRONGER than the improved clinch knot when tied in larger diameter tippets (2X and bigger).

